

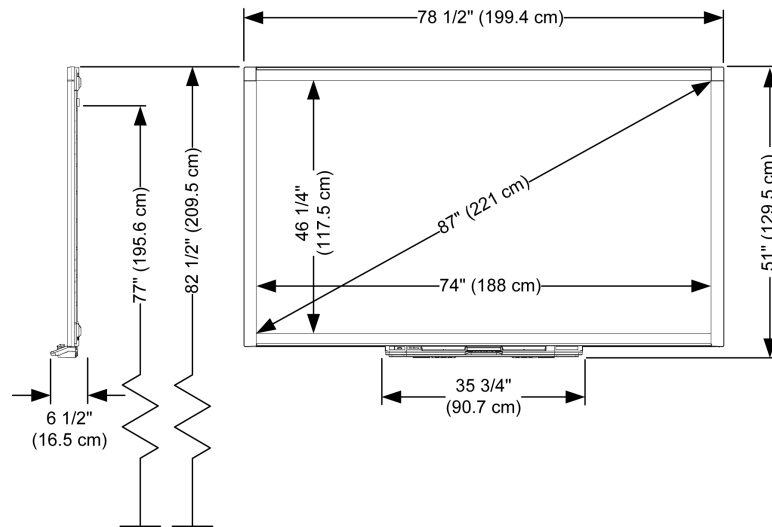
Specifications

# SMART Board® interactive whiteboard

Model SB885E

## Dimensions and weights<sup>1</sup>

### Dimensions<sup>2</sup>



### SMART Board 885E interactive whiteboard

**Weight**

55 lb. (25 kg)

**Shipping dimensions**

88 1/2" × 55 7/8" × 4 1/2"  
(224.8 cm × 141.9 cm × 11.4 cm)

**Shipping weight**

68 lb. 4 oz. (31 kg)

**Accessory Kit (includes pen tray)**

**Weight**

12 lb. (5.5 kg)

**Shipping dimensions**

40 1/8" × 7" × 3 7/8"  
(102 cm × 17.7 cm × 9.8 cm)

**Extended control panel (ECP)**

**Dimensions**

6 5/8" × 2 1/8" × 4 5/8"  
(16.8 cm × 5.5 cm × 11.9 cm)

**Weight**

5 lb 11 oz. (2.6 kg)

**Shipping dimensions**

16 1/2" × 14" × 3"  
(41.9 cm × 35.6 cm × 7.6 cm)

**Remote control**

**Dimensions**

1 5/8" × 3 3/8" × 1/4"  
(4.1 cm × 8.6 cm × 0.6 cm)

<sup>1</sup>All dimensions ± 1/8" (0.3 cm). All weights ± 2 lb. (0.9 kg).

<sup>2</sup>The height of SMART Board 800 series interactive whiteboards manufactured before June 2015 is 53 3/8" (135.6 cm).

## Standard features

<b>Software</b>	SMART Notebook® collaborative learning software including SMART Product Drivers
<b>Computer requirements</b>	A computer or laptop with either a Windows® operating system or Mac operating system software and SMART Notebook software installed. For a complete list of computer requirements, go to <a href="http://smarttech.com/downloads">smarttech.com/downloads</a> and browse to the latest SMART Notebook release notes applicable to your operating system.
<b>Touch and gestures</b>	Perform mouse functions with your finger, and write and erase digital ink with a pen tray pen or the eraser. The Object Awareness feature enables you to pick up a pen, and then write, select or erase without replacing the pen. This interactive whiteboard also features gesture capability, providing a natural and flexible way to interact with content.
<b>Multitouch capabilities</b>	<ul style="list-style-type: none"> <li>• Users can interact with the interactive whiteboard using the included pens or other objects, or by using their fingers to write and perform gestures.</li> <li>• Support for four simultaneous touches enables up to four users to interact with the interactive whiteboard.</li> </ul>
<b>SMART Ink™</b>	Smooths out the appearance of the digital ink, improving the legibility of your handwriting. The ink becomes an object you can move and manipulate.
<b>Lockable pen option</b>	Hold down a pen color button on the pen tray until its light flashes to lock the interactive whiteboard in pen mode. In this mode you can use any device as a pen. Early education students and students with special needs can use an object like a tennis ball to write more easily on the surface.
<b>Pen tray</b>	<ul style="list-style-type: none"> <li>• Optical sensors in the pen tray detect when you lift a pen or eraser from the tray. Color buttons on the pen tray enable you to select pen color.</li> <li>• Removable end caps for optional accessories</li> </ul>
<b>Pen and eraser</b>	Two ergonomic pens with a comfort grip and a rectangular eraser
<b>Touch resolution</b>	Approximately 4000 × 4000.
<b>Screen surface</b>	The hard-coated steel surface is durable, optimized for projection, compatible with dry-erase markers and easily cleaned.
<b>Digitizing technology</b>	Four-camera DVIT® (Digital Vision Touch) technology
<b>Frame finish</b>	Light gray (approximates PANTONE Cool Gray 6C)
<b>Wall-mount bracket</b>	Two 32" (81.3 cm) wide brackets with 10 screws and toggle bolt anchors to support a wall-mounted interactive whiteboard
<b>Power requirements</b>	6' (1.8 m) power cable and 6" (15 cm) Y-cable. Power consumption is less than 7 W (100V to 240V AC, 50/60 Hz, 5V DC 2.0A)

## Temperature specifications

<b>Storage</b>	-40°F to 120°F (-40°C to 50°C)
<b>Operating</b>	41°F to 95°F (5°C to 35°C) with up to 80% humidity, non-condensing

## Certification and compliance

**Regulatory certification** CE, CSA (U.S./Canada) and FCC

---

### Environmental compliance

China	EIP
European Union	REACH, RoHS, WEEE and Packaging
U.S.	Packaging

---

## Warranty

**Interactive whiteboard** Your interactive whiteboard has a two year limited equipment warranty. See <https://support.smarttech.com/forms/warranty-form> for details.

---

**Accessories** The accessories have a one-year warranty.

## Purchasing information



### NOTE

A digital projector isn't included with this model of SMART Board interactive whiteboard. To take advantage of all interactive features, integrate a digital projector. The SMART Board 885E interactive whiteboard supports the Epson® PowerLite 585W for SMART digital projector. This projector may or may not be available in your region. Contact your SMART reseller for more information.

### Order numbers

SB885E	87" (221 cm) diagonal SMART Board interactive whiteboard. Includes a SMART Notebook software installation DVD.
--------	--

---

**Optional accessories** See [smarttech.com/accessories](http://smarttech.com/accessories)

smarttech.com/support  
smarttech.com/contactsupport

© 2010–2019 SMART Technologies ULC. All rights reserved. SMART Board, smarttech, the SMART logo and all SMART taglines are trademarks or registered trademarks of SMART Technologies ULC in the U.S. and/or other countries. All third-party product and company names may be trademarks of their respective owners. This product and/or use thereof covered by one or more of the following U.S. patents. [www.smarttech.com/patents](http://www.smarttech.com/patents). Contents are subject to change without notice. 06/2019.