

Specifications

SMART Document Camera™

Model SDC-330

Physical specifications

Document camera

Size Set up:
11 3/8" W × 16 3/8" H × 14 5/8" D
(28.9 cm × 41.7 cm × 37.0 cm)

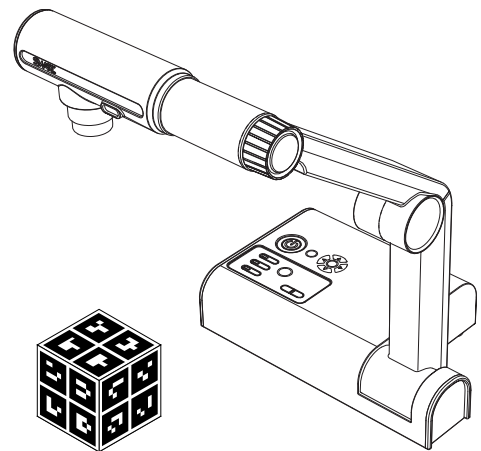
Folded:
11 3/8" W × 3 3/4" H × 12 1/4" D
(28.9 cm × 9.5 cm × 31.2 cm)

Weight 7 lb. 10 oz. (3.46 kg)

Mixed reality cube

Size 2 1/8" W × 2 1/8" H × 2 1/8" D
(5.5 cm × 5.5 cm × 5.5 cm)

Weight 2 oz. (57 g)



All dimensions +/- 1/8" (0.3 cm). All weights +/- 1 oz. (30 g).

Standard features

Image pick-up device 1.3 megapixels

Effective pixels 1280 (H) × 1024 (V)

Frame rate Maximum of 30 frames per second

Resolution RGB output 800 (H) × 800 (V) TV lines

Video output VGA - DVI-D / composite selectable (mechanical switch)

Zoom Powered, 5.2× optical, 8.0× digital

Lens f/2.8 to 3.2
Focal range 3.85 mm to 20.02 mm

Extraordinary made simple®

SMART®

SPECIFICATIONS

SMART Document Camera – Model SDC-330

Shooting area	Max. 16 5/8" × 13 1/4" (42.3 cm × 33.6 cm) Min. 3 5/8" × 2 7/8" (9.3 cm × 7.5 cm)
Focus	Auto / Manual (powered)
Brightness control	Auto (level control provided) / Manual
Power consumption	21.6 W
Power source	100V AC to 240V AC, 50/60 Hz
AC adapter	12V DC, 1.6A
Documentation	Registration card, warranty sheet, MCV table, cautions and warnings, quick connect guide, Mixed Reality Tools quick start card, user's guide
Environmental compliance	China EIP, EU RoHS, EU WEEE, Packaging, US CPSIA
Energy efficiency	Energy Star
Regulatory certification	CB, CCC, CE, C-Tick, FCC
Lighting	LED illumination lamp
Security	Security slot
Cables	5' (1.5 m) power cable (country specific) 5' 9" (1.8 m) USB cable, SDC-330 6' 6" (2 m) RGB cable, SDC-330
Software	SMART Notebook™ collaborative learning software and Mixed Reality Tools for the SMART Document Camera are available from smarttech.com/software . SMART Notebook software 11 or later is required for Mixed Reality Tools. See the SMART Notebook software release notes for a complete list of system requirements. Mixed Reality Tools enables you to manipulate 3D models in .notebook files using your SMART Document Camera and mixed reality cube. For more information, see the <i>SMART Document Camera 330 user's guide</i> (smarttech.com/kb/143838).
Supported operating systems	Windows® XP (32-bit), Windows Vista® (32-bit, 64-bit), Windows 7 (32-bit, 64-bit), Mac OS X 10.5.8 – Intel® only (PowerPC® not supported)
Warranty	Five-year limited equipment warranty. See warranty document for details.
Also includes	Mixed reality cube Anti-glare sheet (A5 size)

SPECIFICATIONS

SMART Document Camera – Model SDC-330

User interfaces

Control panel
Power on/off
OSD Operation: menu, direction, enter
Screen capture
Image select: SD card mode, camera mode, computer mode
Image brightness
Image pause

SMART Notebook software 10 or later via USB
Screen capture
Image magnification
Image brightness
Auto focus
Image focus

OSD (on-screen display)

Camera mode

Image settings	Brightness, Focus (Auto / Push / Zoom Sync), Shutter Speed, White Balance, R/B-Gain, Edge Effect, Gamma, Image Mode, Image Rotation, Microscope Mode, Color/B&W, Positive/Negative
----------------	--

Function settings	USB Mode, Frequency, Save/Load Settings, Menu Display, Language
-------------------	---

Special settings	Highlight, Mask, Scroll, Picture in Picture
------------------	---

SD card mode

SD settings	Format, Delete, Lock, Slideshow (Image Select, Order, Repeat, Interval)
-------------	---

Input/output connections

Input selection – main/external
Video format – PAL / NTSC selectable (mechanical switch)
Analog VGA output – SXGA / WXGA / XGA / 720p 60Hz (mechanical switch)
VGA input – D-sub 15 pin
USB – USB-B, USB 2.0
USB – USB-A, USB 2.0
SD/SDHC card slot
Video Output – VGA - DVI-D / Composite selectable (mechanical switch)
DVI-D – single link, 720p

Microscope interface

Direct interface with optical microscopes less than 13 3/8" (33.9 cm) high

Operating specifications

Temperature 32°F to 104°F (0°C to 40°C)

Humidity 30% to 85% humidity, non-condensing

SPECIFICATIONS

SMART Document Camera – Model SDC-330

SMART order numbers

SDC-330	SMART Document Camera 330
FRU-CUBE	Replacement mixed reality cube
20-01570-20	Additional mixed reality cube

A printable mixed reality mat is available from smarttech.com/kb/160487.

Optional accessories

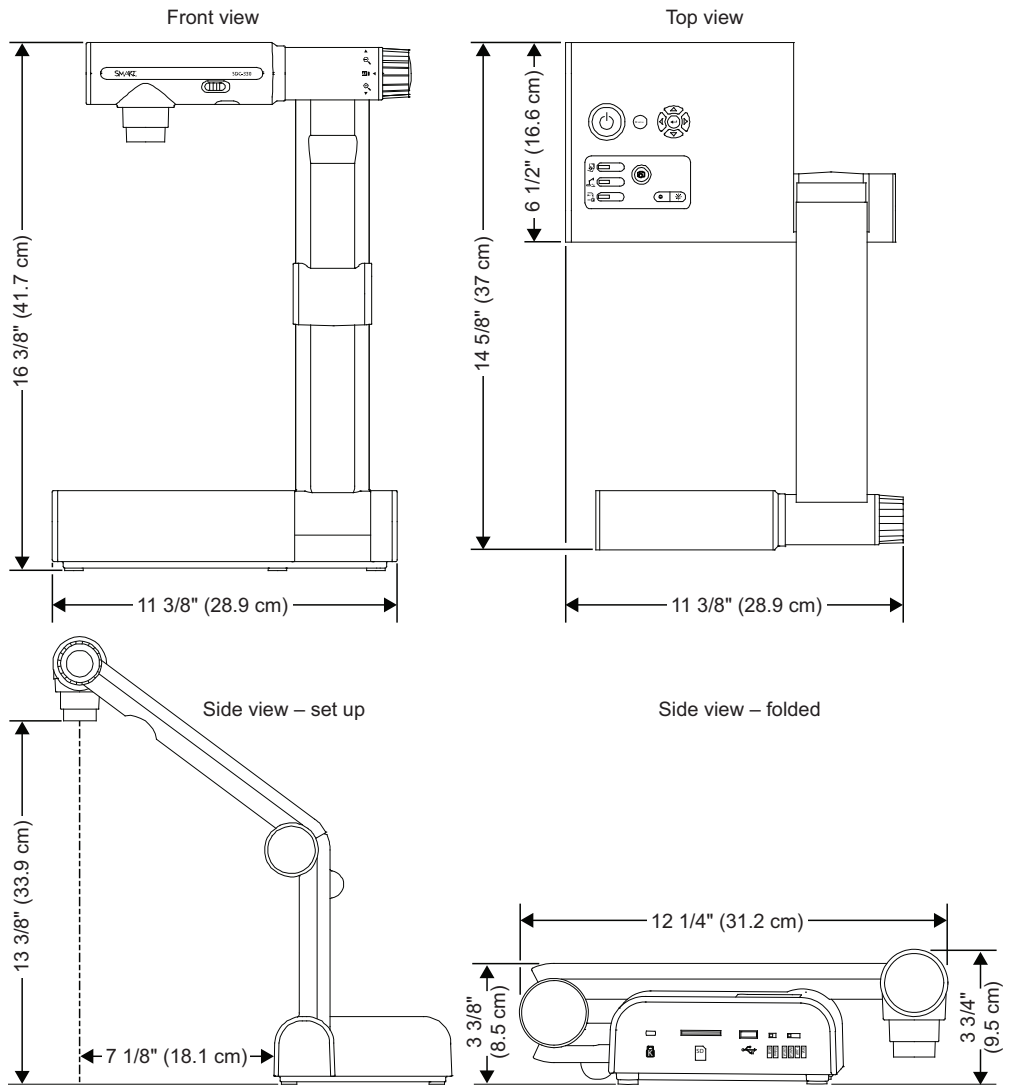
For more information on additional accessories for your SMART Document Camera, see smarttech.com/accessories.

SPECIFICATIONS

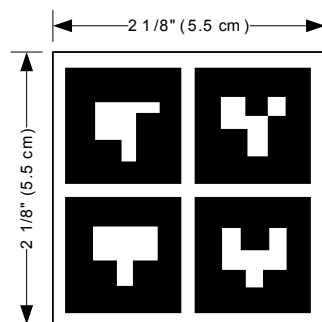
SMART Document Camera – Model SDC-330

Physical dimensions

Document camera



Mixed reality cube



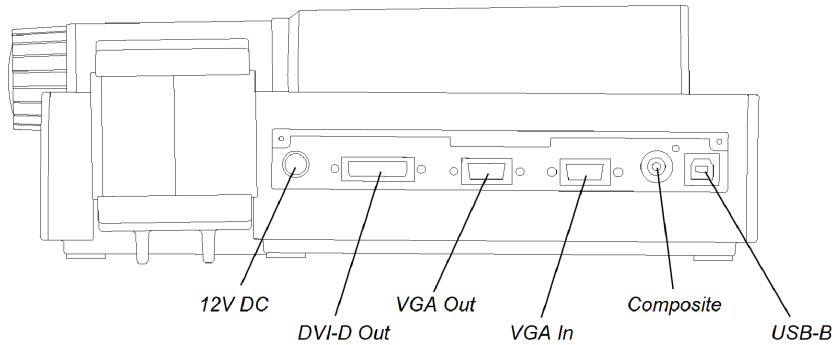
SPECIFICATIONS

SMART Document Camera – Model SDC-330

Connection panels

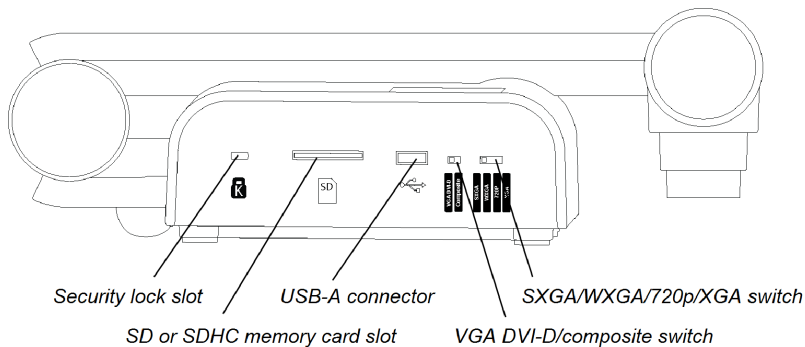
Rear connection panel

The rear connection panel has connectors for 12V DC, DVI-D out, VGA in and out, composite and USB-B.



Side panel

The side panel has a security lock slot, SD/SDHC memory card slot, USB-A connector, a switch for selecting VGA-DVI-D or Composite output and a switch to select either SXGA, WXGA, 720p or XGA resolution.



smarttech.com/support
smarttech.com/contactsupport

© 2010–2012 SMART Technologies ULC. All rights reserved. SMART Document Camera, SMART Notebook, smarttech, the SMART logo and all SMART taglines are trademarks or registered trademarks of SMART Technologies ULC in the U.S. and/or other countries. Windows and Windows Vista are either registered trademarks or trademarks of Microsoft Corporation in the U.S. and/or other countries. All other third-party product and company names may be trademarks of their respective owners. Patents pending. Contents are subject to change without notice. 05/2012.